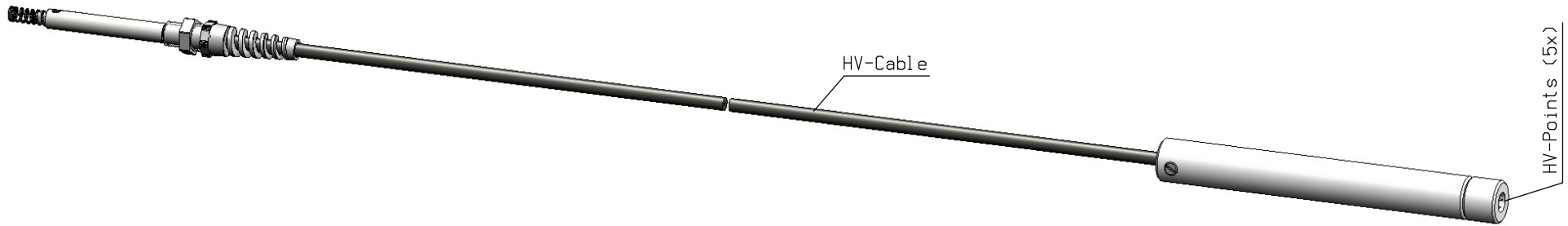
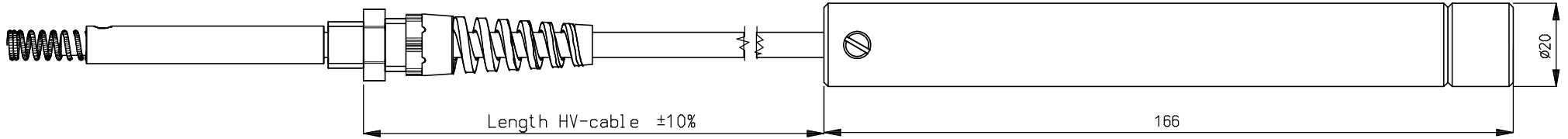
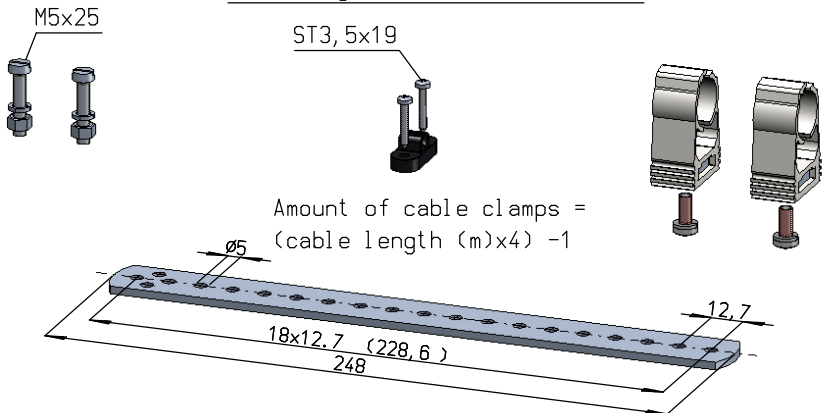


Length HV-cable 3 meters item no. 0927053003
 Length HV-cable 6 meters item no. 0927053006
 Length HV-cable 9 meters item no. 0927053009



3D View 1:2

Mounting materials included



Amount of cable clamps =
 (cable length (m)x4) -1

Supply voltage max. 30 kV DC

		Name: Charging electrode Pinner 5-point			Drawn: MVN	Part no.: —
<small>An ITW Company</small> <small>www.simco-ion.nl Tel: +31 (0)573 288333</small>	<small>CAD generated</small> <small>NOT updated</small>	<small>Dimensions</small> <small>in mm</small>	<small>Date:</small> 28-1-1997	<small>A3</small> <small>M:</small> 1:1	<small>ECN</small> 2012-031	<small>Check:</small> -
						<small>Dwg. no.:</small> 09270051/G