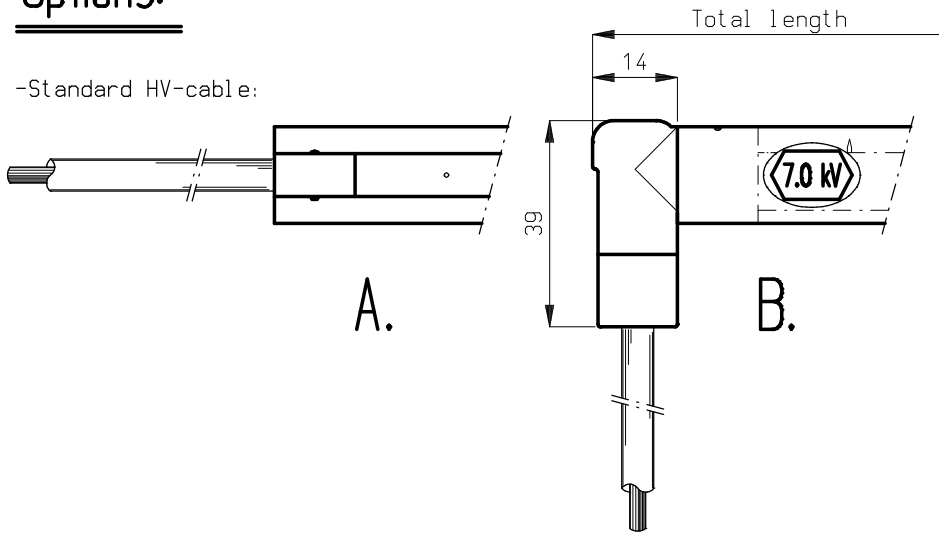
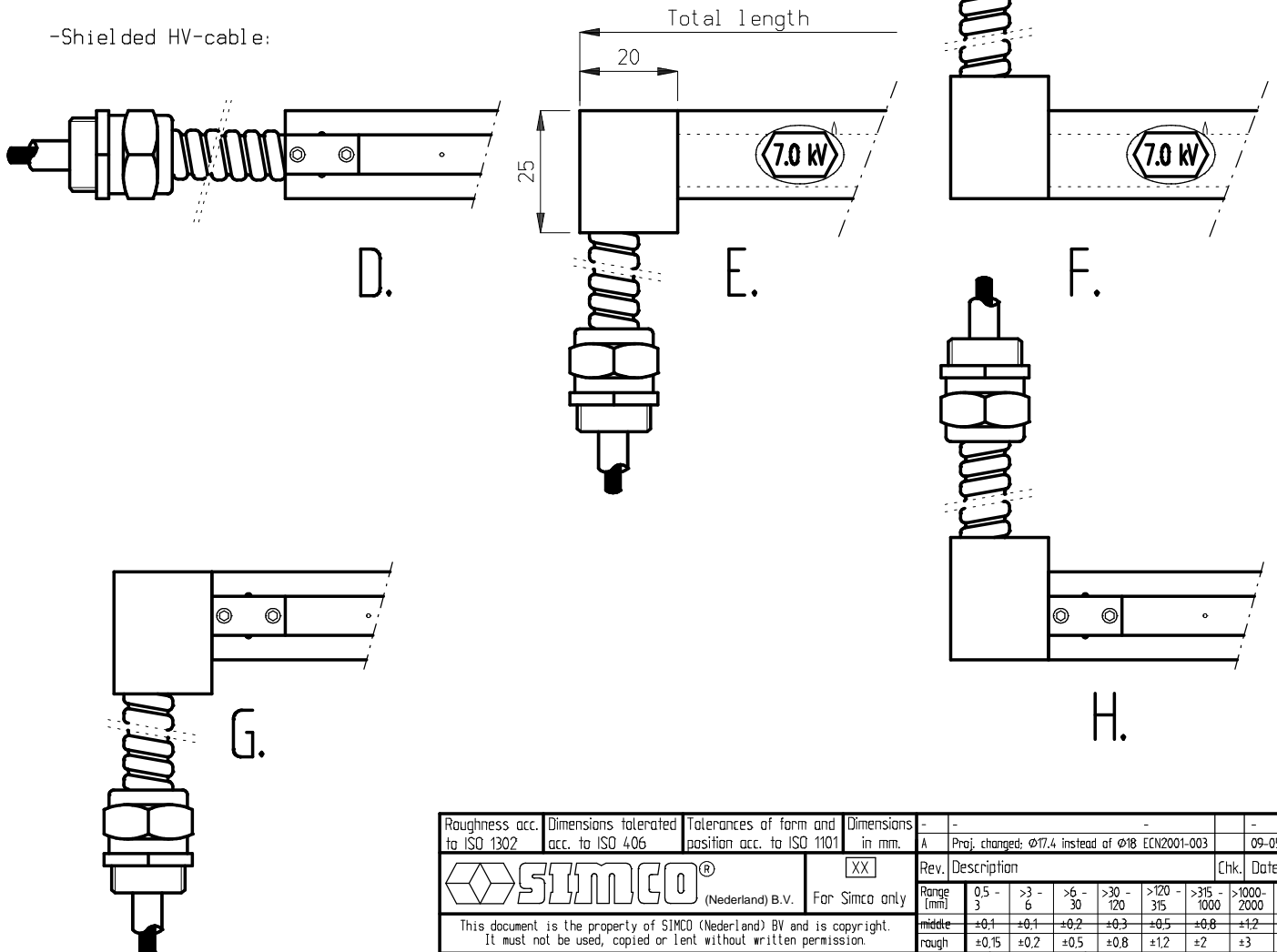


Options:

-Standard HV-cable:



-Shielded HV-cable:



Roughness acc. to ISO 1302	Dimensions tolerated acc. to ISO 406	Tolerances of form and position acc. to ISO 1101	Dimensions in mm.	-	-	-	-	-				
 (Nederland) B.V. For Simco only				XX	Rev. Description A Proj. changed: Ø17.4 instead of Ø18 ECN2001-003			Chk. Date 09-05-2001				
This document is the property of SIMCO (Nederland) BV and is copyright. It must not be used, copied or lent without written permission.				Range (mm)	0,5 - 3	>3 - 6	>6 - 30	>30 - 120	>120 - 315	>315 - 1000	>1000 - 2000	>2000 - 4000
				middle	+0,1	+0,1	+0,2	+0,3	+0,5	+0,8	+1,2	+2
				rough	+0,15	+0,2	+0,5	+0,8	+1,2	+2	+3	+4
Name: Anti Static Bar type MEJ (options)					Drawn: GJ	Part nr.: -						
CAD GENERATED NOT AUTOMATICALLY UPDATED		Date: 19-03-1999	M: 1:1	A3	⊕	Check:	Dwg. nr.: 03060008					